



The APK-ID combo sheep tag is a specially designed tag using the latest in technology and manufacturing processes.

UHF sheep tag having an inductively coupled antenna it delivers an exceptional reading range performance and long-term reliability.

Manufactured from premium quality materials. The tag will pierce the animal's ear efficiently and couple permanently to the female half of the tag.

FEATURES

- Designed specifically for small animals ear tagging such as sheep, goat & pig
- Compact & lightweight
- Tag is built to withstand harsh environment & Chemical exposure
- UV Resistant
- Dust and Waterproof
- Excellent retention
- High quality RFID IC
- Also available in various memory and ISO protocols

KEY APPLICATIONS

- Livestock identification
- Livestock tracking

ADDRESS

APK IDENTIFICATION
PLOT NO. 129-B, NSEZ,
PHASE-II, NOIDA,
UTTAR PRADESH – 201305
INDIA.

PHONE

+91 120 2462331/2460231

FAX

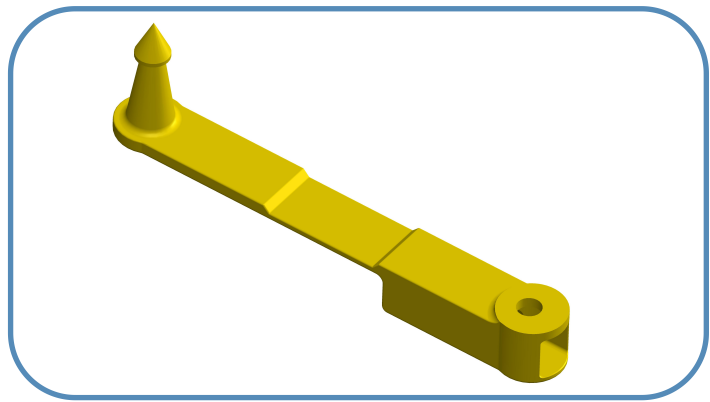
+91 120 2462332

EMAIL

info@apkid.com

WEBSITE

www.apkid.com



LF & UHF COMBO SHEEP TAG

PART NO.

TAG SPECIFICATION DATA

	ULTRA-HIGH FREQUENCY MALE TAG	LOW FREQUENCY FEMALE TAG
ISO Protocol	ISO 18000-63 and EPCglobal Gen2v2 compliant	ISO 11784/85
Operating Frequency	860 - 960 MHz ETSI / FCC compliant	134.2 KHz
IC Type	Impinj Monza R6-P	NXP, EM
Memory	96 bit EPC /128 bit EPC	IC dependent
Data Retention	Up to 50 years	Up to 10 years
Programming Cycle	Up to 100,000 cycles	Up to 100,000 cycles
Material	Special Thermoplastic	
Dimension	74 X 10 mm	
Weight	Approx. 4.0g	
Printing Type	Laser Engraved: Barcode, QR code, number and others as per requirement	
Colour	Pink & customize	

ENVIRONMENTAL TEST DATA

Ingress Protection	IP67
Storage Temperature	-10°C to +80°C
Operating Temperature	-10°C to +80°C
Vibration Resistance	Excellent
Shock Resistance	Excellent
Impact Resistance	Good
Chemical Resistance	Highly resistive to Water, Washing agents, Ethanol, Detergents, Most oils and greases

*Subject to change without notice

For more RFID products please visit to our website: www.apkid.com