



The APK-ID Dual frequency LF + UHF female flag is a specially designed tag using the latest in technology and manufacturing processes.

UHF transponder having an inductively coupled antenna it delivers an exceptional reading range performance and long-term reliability.

Manufactured from premium quality materials and tamperproof.

FEATURES

- Designed specifically for ear tagging
- Compact & lightweight
- Tag is built to withstand harsh environment & Chemical exposure
- UV Resistant
- Dust and Waterproof
- Excellent retention
- High quality RFID IC
- Also available in various memory and ISO protocols
- Also available in Tamperproof & non-various memory and ISO protocols

KEY APPLICATIONS

- Livestock identification
- Livestock tracking

ADDRESS

APK IDENTIFICATION
PLOT NO. 129-B, NSEZ,
PHASE-II, NOIDA,
UTTAR PRADESH – 201305
INDIA.

PHONE

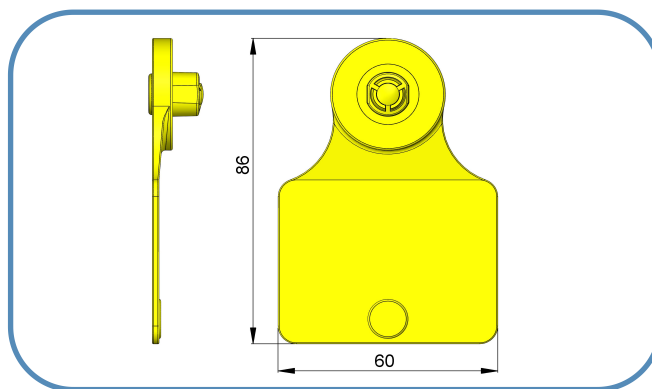
+91 120 2462331/2460231

FAX

+91 120 2462332

EMAIL

info@apkid.com



DUAL FREQUENCY LF & UHF FEMALE FLAG

TAG SPECIFICATION DATA

	ULTRA-HIGH FREQUENCY	LOW FREQUENCY
ISO Protocol	ISO 18000-63 and EPCglobal Gen2v2 compliant	ISO 11784/85
Operating Frequency	860 - 960 MHz ETSI / FCC compliant	134.2 KHz
IC Type	Alien, NXP, Impinj	NXP, Silicon craft FDX / HDX
Memory	Up to 128 bit EPC	IC dependent
Data Retention	Up to 50 years	Up to 10 years
Programming Cycle	Up to 100,000 cycles	Up to 100,000 cycles
Material	TPU	
Dimension	60 X 86 mm	
Weight	Approx. 15.0g	
Printing Type	Laser Engraved: Barcode, QR code, number and others as per requirement	
Colour	Yellow, Pink, White, Green, Orange & customize	

ENVIRONMENTAL TEST DATA

Ingress Protection	IP67
Storage Temperature	-30 °C to +80 °C
Operating Temperature	-30 °C to +80 °C
Vibration Resistance	Excellent
Shock Resistance	Excellent
Impact Resistance	Good
Chemical Resistance	Highly resistive to Water, Washing agents, Ethanol, Detergents, Most oils and greases